

# 2MP Low Light IP Bullet Camera

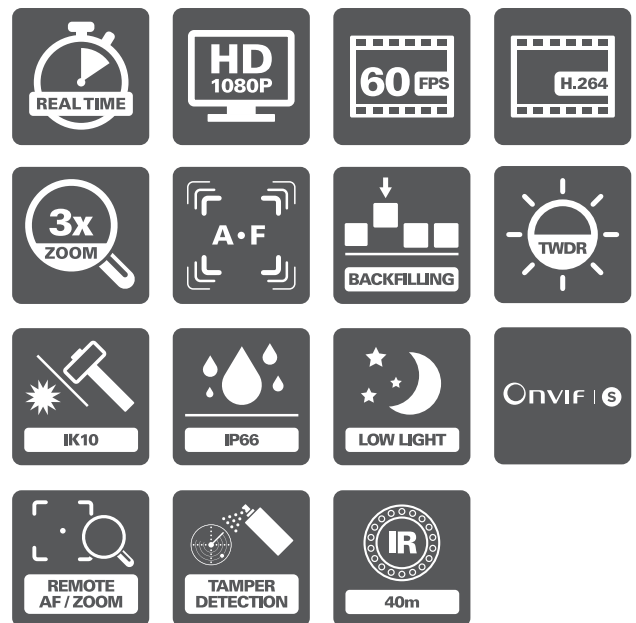
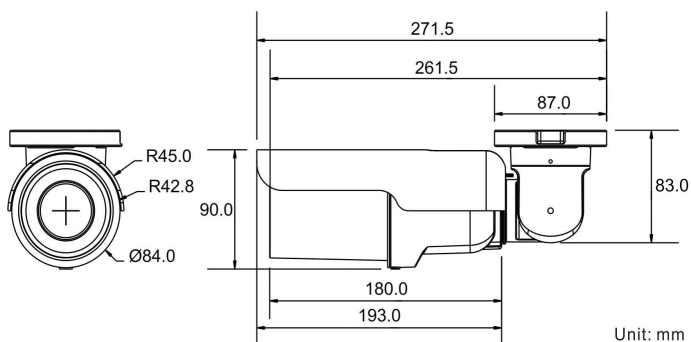
## SY-BLM3-LLX

The Synectics Low Light IR Bullet Camera matches great picture performance with the convenience of IR illumination inside a rugged housing.



The Synectics full real-time 2MP HD multi-stream bullet IP camera is equipped with a Sony Exmor™ progressive scan CMOS sensor providing outstanding video resolution.

The vandal resistant IR bullet provides full 1080P HP 50/60fps streaming or true WDR at 25/30fps. Coupled with its 3x AF zoom lens and IR illumination up to 40m, performance is assured in all lighting conditions. ONVIF Profile S compliant ensures easy set up while IP66 and IK10 guarantee optimum performance under challenging conditions.



# Specifications

CAMERA		SYBLM3-LLX
Image Sensor	2MP Sony 1/2.8" Progressive CMOS	
Effective Pixels	1920 (H) x 1080 (V)	
Resolution	Full HD 1080P / SXGA / HD 720P / XGA / SVGA / D1 / VGA / CIF / QCIF @50/60fps or 25/30fps (True WDR)	
Min Illumination Colour	0.01 Lux	
Min Illumination B&W	0.0005 Lux	
Shutter Speed	1 ~ 1/10000 sec	
LENS		
Lens Mount	N/A	
Lens	3x AF / 3 ~ 9mm	
FOV	107.2° (Wide); 36.1° (Tele)	
F Number	F1.3 (Wide), F2.2 (Tele)	
P Iris	Y	
Focus Mode	Auto, Push AF	
Digital Zoom	Y	
PTZ OPTIONS		
Pan Travel	N/A	
Tilt Travel	N/A	
Manual Speed	N/A	
Presets	N/A	
Preset Accuracy	N/A	
Preset Speed	N/A	
Sequence	N/A	
Auto Pan	N/A	
Cruise	N/A	
Proportional Pan / Tilt	N/A	
Home Function	N/A	
Auto Flip	N/A	
Image Rotation	Flip / Mirror / Inverse / Portrait	
STREAMING OPTIONS		
Compression	H.264	
ONVIF Profile	S	
Stream	PAL: H.264 1080P(50 fps) + H.264/MJPEG D1 (50 fps) NTSC: H.264 1080P(60 fps) + H.264/ MJPEG D1 (30 fps)	
Stream 1 Max Resolution and FPS	H.264 1080P @ 60 fps	
Stream 2 Max When Stream 1 Set Max Resolution and FPS	H.264/MJPEG D1 @ 60 fps	
Stream 1 1080P Resolution and Max FPS	H.264 1080P @ 60 fps	
Stream 2 Max when Stream 1 Set 1080P Resolution and Max FPS	H.264/MJPEG D1 @ 60 fps	

OPERATION	
ICR	Auto / LED On / LED Off / Light Sensor
LED Numbers	6
LED Distance	Up to 40m
White Balance	Manual / AWB / ATW / One Push
NR	2D / 3D / Color
BLC	On / Off
WDR	True WDR (>120dB)
DIS / EIS	Y
Motion Detection	On / Off / Schedule
Privacy Mask Type	8 Colours / 5 Sets
Tamper Alarm	On / Off / Schedule
Audio Type	Line in / Line Out
Audio In	G.711 / G.726
Audio Out	G.711 / G.726
Audio Sample Rate	8000
Analogue Out	N/A
Heater	Y
Fan	N/A
Alarm Input	1 Set 5V 10k $\Omega$ Pull Up
Alarm Output	1 Set Photo Relay Output 300V DC / AC
Event Notification	HTTP / FTP / SMTP
SD Card Support	microSDHC 32GB support
Ethernet Connector	RJ-45 Cable
Power Connector	3 Pin Terminal Block
I/O Connector	4 Pin Terminal Block
Protocol	IPv4/v6, TCP/IP, UDP, RTP, RTSP, HTTP, HTTPS, ICMP, FTP, SMTP, DHCP, PPPoE, UPnP, IGMP, SNMP, QoS, ONVIF S
Security	HTTPS / IP Filter / IEEE 802.1X
ENVIRONMENTAL	
Operating Temperature	-40°C ~ 50°C (-40°F ~ 122°F)
Storage Temperature	-20°C ~ 65°C (-4° ~ 149° F)
Humidity	10% ~ 90%, No Condensation
Vandal Resistant	IK10
IP Rating	IP66
GENERAL	
Power*1	DC 12V / AC 24V / PoE
Power Priority 1	AC or DC
Power Priority 2	PoE
Power Priority 3	N/A
Power Failover	N/A
PoE Classification	Class 0
Power Consumption (Total Unit)	Max: 12.15W
Dimensions	$\varnothing$ 84 x 260 mm / $\varnothing$ 3.3 x 7.1"
Weight	940 g / 2.07 lb
Certification	CE / FCC

NOTE: \*1 If multiple power inputs are to be used simultaneously on the camera (such as AC power + PoE or DC power + PoE) all power supplies must be isolated power supplies. If non-isolated power supplies are deployed, they must be used in conjunction with appropriate isolation between each individual camera and the non-isolated power supply.