

# 12MP IP Fisheye Camera with Edge De-Warping

## SY-FEE-XYZ

**The Synectics 12MP Fisheye Camera matches high resolution dual stream versatile picture layout with compact aesthetics.**



The Synectics 12MP HD multi-stream IP fisheye camera is equipped with a Sony Exmor™ progressive scan CMOS sensor providing outstanding video resolution.

The camera delivers full 360 degree field of view and simultaneous ability to select a number of optional views including a quad view complete with individual electronic PTZ.

This versatile camera is able to be mounted in both ceiling and wall orientation. With the flexibility this camera can offer it is the ideal choice for many locations to provide wide area surveillance coverage.

\* NOTE: Image for representation only



# Specifications

CAMERA		SY-FEE-XYZ
Image Sensor	12MP Sony Exmor 1/1.7" Progressive Scan CMOS	
Effective Pixels	4000 (H) x 3000 (V)	
Resolution	H.264 - 12M (4000 x 3000) / 6M (3072 x 2048) / Full HD 1080p / SXGA / HD 720p / XGA / SVGA / D1 / VGA / CIF / QVGA	
	MJPEG - Full HD 1080p / SXGA / 720P / XGA / SVGA / D1 / VGA / CIF / QVGA	
Min Illumination Color	0.1 Lux	
Min Illumination B&W	0.01 Lux	
Shutter Speed	1 ~ 1/10000 sec	
LENS		
Lens Mount	N/A	
Lens	1/1.7" Fisheye Lens	
FOV	180° @ Full Resolution	
F Number	F2.0	
P Iris	N	
Focus Mode	N/A	
Digital Zoom	8x	
PTZ OPTIONS		
Pan Travel	N/A	
Tilt Travel	N/A	
Manual Speed	N/A	
Presets	N/A	
Preset Accuracy	N/A	
Preset Speed	N/A	
Sequence	N/A	
Auto Pan	N/A	
Cruise	N/A	
Proportional Pan / Tilt	N/A	
Home Function	N/A	
Auto Flip	N/A	
Image Rotation	Flip / Mirror / Inverse / Portrait	
STREAMING OPTIONS		
Compression	H.264	
ONVIF Profile	S / G	
Stream	Single Stream: H.264 12M (4000 x 3000) @ 20 fps Dual Stream: H.264 4K (3840 x 2160) @ 20 fps + 1080p @ 25/30 fps	
Stream 1 Max Resolution and FPS	H.264 4K (3840 x 2160) @ 20 fps	
Stream 2 Max When Stream 1 Set Max Resolution and FPS	H.264 1080p @ 25/30 fps	
Stream 1 1080P Resolution and Max FPS	H.264 1080p @ 50/60 fps	
Stream 2 Max when Stream 1 Set 1080P Resolution and Max FPS	H.264 1080p @ 25/30 fps	

OPERATION	
ICR	Auto / On / Off / Smart
LED Numbers	4
LED Distance	Up to 5 m
White Balance	Manual / AWB / ATW / One Push
NR	2D / 3D / Colour
BLC	On / Off
WDR	Gamma WDR
DIS / EIS	N
Motion Detection	On / Off / Schedule
Privacy Mask Type	8 Colours / 5 Sets
Tamper Alarm	On / Off / Schedule
Audio Type	Built-in Speaker (Max. 2W Mono) & Microphone*1
Audio In	AAC / G.711 / G.726
Audio Out	AAC / G.711 / G.726
Audio Sample Rate	ACC: 48000 / Other: 8000
Analogue Out	N/A
Heater	N
Fan	N
Alarm Input	1 Set 5V 10kΩ Pull Up
Alarm Output	1 Set Photo Relay Output 300V DC / AC
Event Notification	HTTP / FTP / SMTP
SD Card Support	microSDXC 64GB
Ethernet Connector	RJ-45 Solid
Power Connector	2 Pin Terminal Block
I/O Connector	8 Pin Terminal Block, Pitch 2.5 mm
Protocol	IPv4/v6, TCP/IP, UDP, RTP, RTSP, HTTP, HTTPS, ICMP, FTP, SMTP, DHCP, PPPoE, UPnP, IGMP, SNMP, QoS, ONVIF S
Security	HTTPS / IP Filter / IEEE 802.1X

ENVIRONMENTAL	
Operating Temperature	-10°C ~ 50°C (14° ~ 122° F)
Storage Temperature	-20°C ~ 65°C (-4° ~ 149° F)
Humidity	10% ~ 90%, No Condensation
Vandal Resistant	IK10*2
IP Rating	IP66*2

GENERAL	
Power*3	PoE / DC 12V
Power Priority 1	DC
Power Priority 2	PoE
Power Priority 3	N/A
Power Failover	N/A
PoE Classification	Class 0
Power Consumption (Total Unit)	Maximum of PoE: 9.5W / Maximum of DC12V: 10.5W
Dimensions	∅ 117 x 42.7 mm / ∅ 4.6 x 1.68"
Weight	330 g / 0.73 lb
Certification	CE / FCC

NOTE: \*1 Only with supplied indoor housing top \*2 Only with supplied external housing top. \*3 If multiple power inputs are to be used simultaneously on the camera (such as AC power + PoE or DC power + PoE) all power supplies must be isolated power supplies. If non-isolated power supplies are deployed, they must be used in conjunction with appropriate isolation between each individual camera and the non-isolated power supply.

## Synectics

sales@synecticsglobal.com

**synecticsglobal.com**

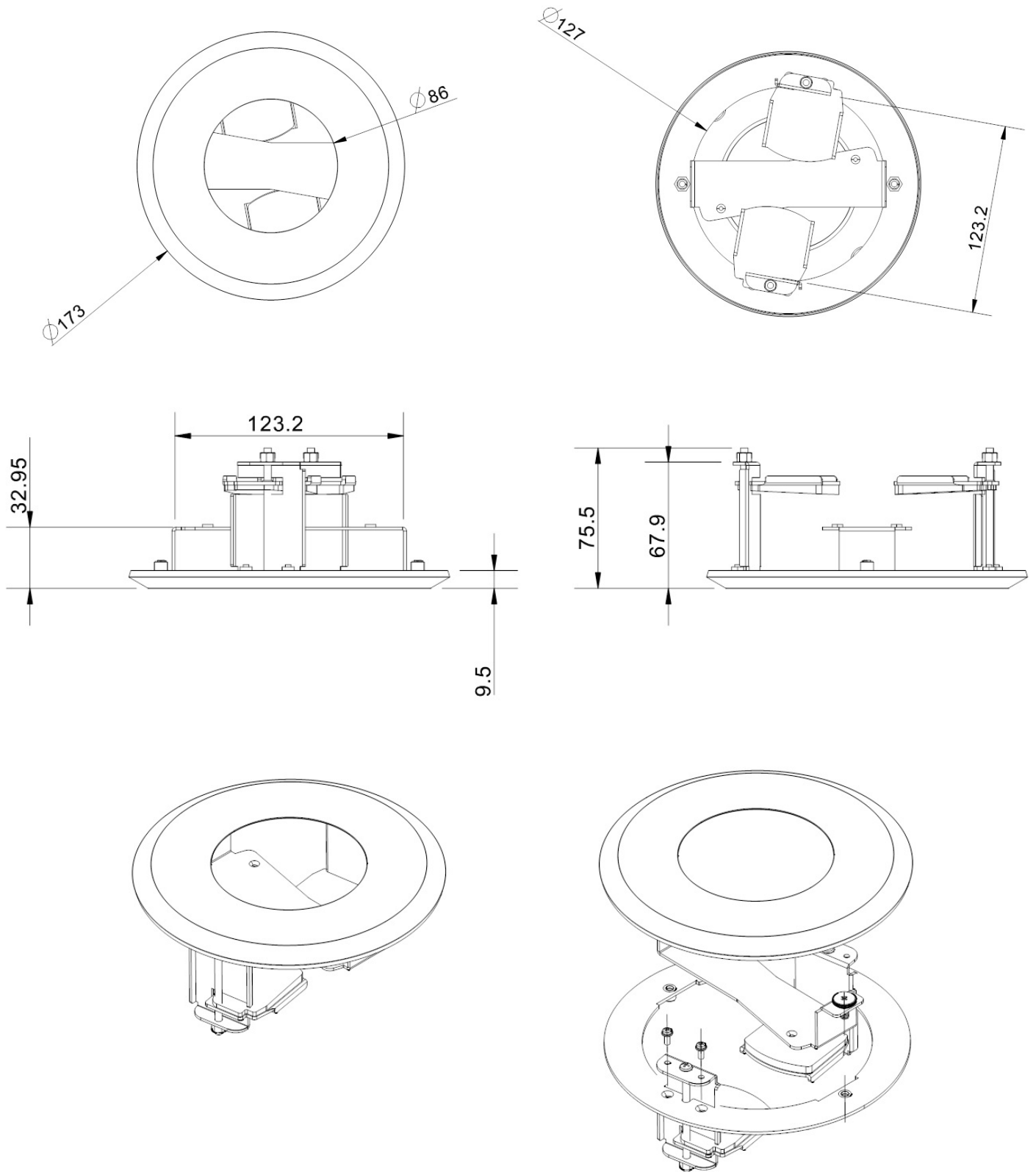
Specifications subject to change. E & OE.

Literature Reference: SY-FEE-XYZ/0617/A4 Iss 3

Copyright © Synectic Systems Group Limited, Synectic Systems, Inc., Synectic Systems (Asia) Pte. Limited 2017. All Rights Reserved.

## Fish Eye Accessories Addendum and Diagrams

### IN CEILING MOUNT — SY-FEE-ICM



Cut Hole size: 147 mm

WALL MOUNT BRACKET — SY-FEE-WM

