

2MP Low Light IP In Ceiling Plenum Dome Camera

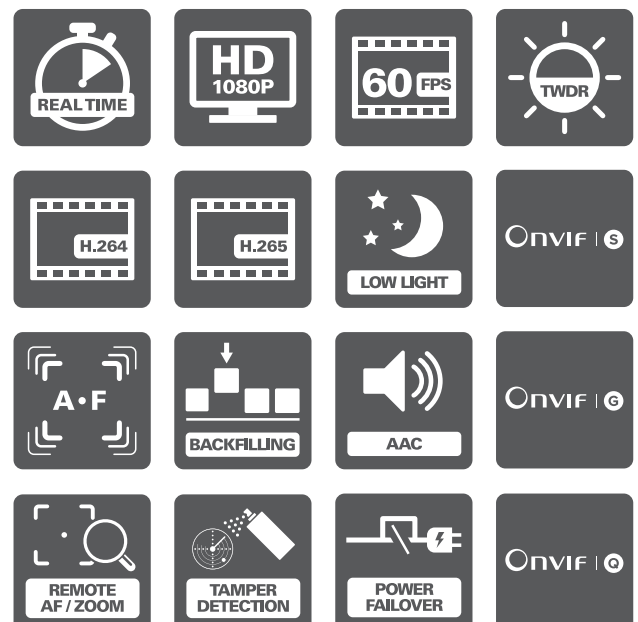
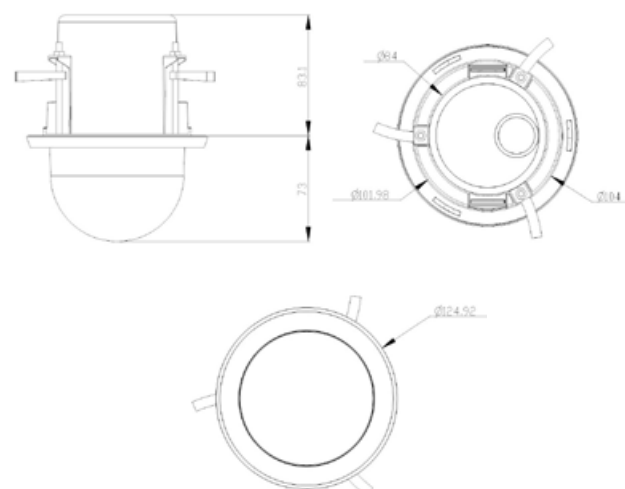
SY-ICD3-S-LLP / SY-ICD2.4-S-LLP*1

The Synectics In Ceiling Dome camera matches great performance with ultra compact aesthetics.



The Synectics full real-time 2MP HD multi-stream fixed in ceiling dome IP camera is equipped with a Sony Exmor™ progressive scan CMOS sensor providing outstanding video resolution, and the capability to stream H.264 and H.265 simultaneously. The in ceiling dome provides full 1080p HD 50/60fps streaming or true WDR at 25/30fps.

Coupled with its 3x AF zoom lens (or optional 2.4x lens) and ultra compact in ceiling plenum mounting it makes the ideal choice for all in ceiling locations.



Specifications

CAMERA		SY-ICD3-S-LLP / SY-ICD2.4-S-LLP ^{*1}	
Image Sensor	2MP Sony 1/2.8" Progressive CMOS		
Effective Pixels	1945 (H) x 1097 (V)		
Resolution	H.265/H.264/MJPEG - Full HD 1080p / SXGA / HD 720P / XGA / SVGA / D1 / VGA / CIF / QVGA		
Min Illumination Color	0.02 Lux		
Min Illumination B&W	0.001 Lux		
Shutter Speed	1 ~ 1/10000 sec		
LENS		SY-ICD3-S-LLP	SY-ICD2.4-S-LLP
Lens Mount	N/A		
Lens	3x AF / 3-9mm	2.4x AF / 9-22 mm	
FOV	110° (Wide); 36° (Tele)	TBC	
F Number	F1.3 (Wide), F2.2 (Tele)	F1.6 (Wide), F2.3 (Tele)	
P Iris	Y		
Focus Mode	Push AF, Zoom Trigger AF, Manual		
Digital Zoom	10x		
PTZ OPTIONS			
Pan Travel	N/A		
Tilt Travel	N/A		
Manual Speed	N/A		
Presets	N/A		
Preset Accuracy	N/A		
Preset Speed	N/A		
Sequence	N/A		
Auto Pan	N/A		
Cruise	N/A		
Proportional Pan/Tilt	N/A		
Home Function	N/A		
Auto Flip	N/A		
Image Rotation	Mirror / 0° / 90° / 180° / 270°		
STREAMING OPTIONS			
Compression	H.265 / H.264		
ONVIF Profile	S/G/Q support		
Stream	NTSC: H.265/H.264/MJPEG 1080p @60fps + H.265/H.264/MJPEG 704 x 480 @30fps PAL: H.265/H.264/MJPEG 1080p @50fps + H.265/H.264/MJPEG 720 x 480 @25fps		
Stream 1 Max Resolution and FPS	NTSC: H.265/H.264/MJPEG 1080p @60fps PAL: H.265/H.264/MJPEG 1080p @50fps		
Stream 2 Max When Stream 1 Set Max Resolution and FPS	NTSC: H.265/H.264/MJPEG 704 x 480 @30fps PAL: H.265/H.264/MJPEG 720 x 480 @25fps		
Stream 1 1080p Resolution and Max FPS	NTSC: H.265/H.264/MJPEG 1080p @60fps PAL: H.265/H.264/MJPEG 1080p @50fps		
Stream 2 Max when Stream 1 Set 1080p Resolution and Max FPS	NTSC: H.265/H.264/MJPEG 704 x 480 @30fps PAL: H.265/H.264/MJPEG 720 x 480 @25fps		
Min/Max Bitrate	64 / 10240 (kbps)		
Max Number Unicast Streams	15		

OPERATION	
ICR	Auto / On / Off / Smart
LED Numbers	N/A
LED Distance	N/A
White Balance	Auto / ATW / One Push / Manual
NR	3D / 2D / Color
BLC	On / Off
WDR	True WDR (120dB)
DIS / EIS	N/A
Motion Detection	On / Off / Schedule
Privacy Mask Type	8 Colors / 5 Sets
Tamper Alarm	On / Off / Schedule
Audio Type	Line in / Line Out, 5 of 9 Pin Terminal Block
Audio In	G.711 / G.726 / AAC / LPCM
Audio Out	G.711 / G.726 / AAC / LPCM
Audio Sample Rate	AAC: 48000 Others: 8000
Analog Out	Y
Heater	N/A
Fan	N/A
Alarm Input	1 Set 5V 10kΩ Pull Up
Alarm Output	1 Set Photo Relay Output 300V DC / AC
Event Notification	HTTP / FTP / SMTP
Onboard Storage	60MB RAM (for future use)
SD Card Support	microSDXC 128GB Support
Ethernet Connector	RJ-45 Cable
Power Connector	2 Pin Terminal Block
I/O Connector	4 of 9 Pin Terminal Block
Protocol	ARP, PPPoE, IPv4/v6, ICMP, IGMP, QoS, TCP, UDP, DHCP, UPnP, SNMP, SMTP, RTP, RTSP, HTTP, HTTPS, FTP, NTP, DDNS, ONVIF S, ONVIF G, ONVIF Q
Security	User Authentication / HTTPS / IP Filter / IEEE 802.1X

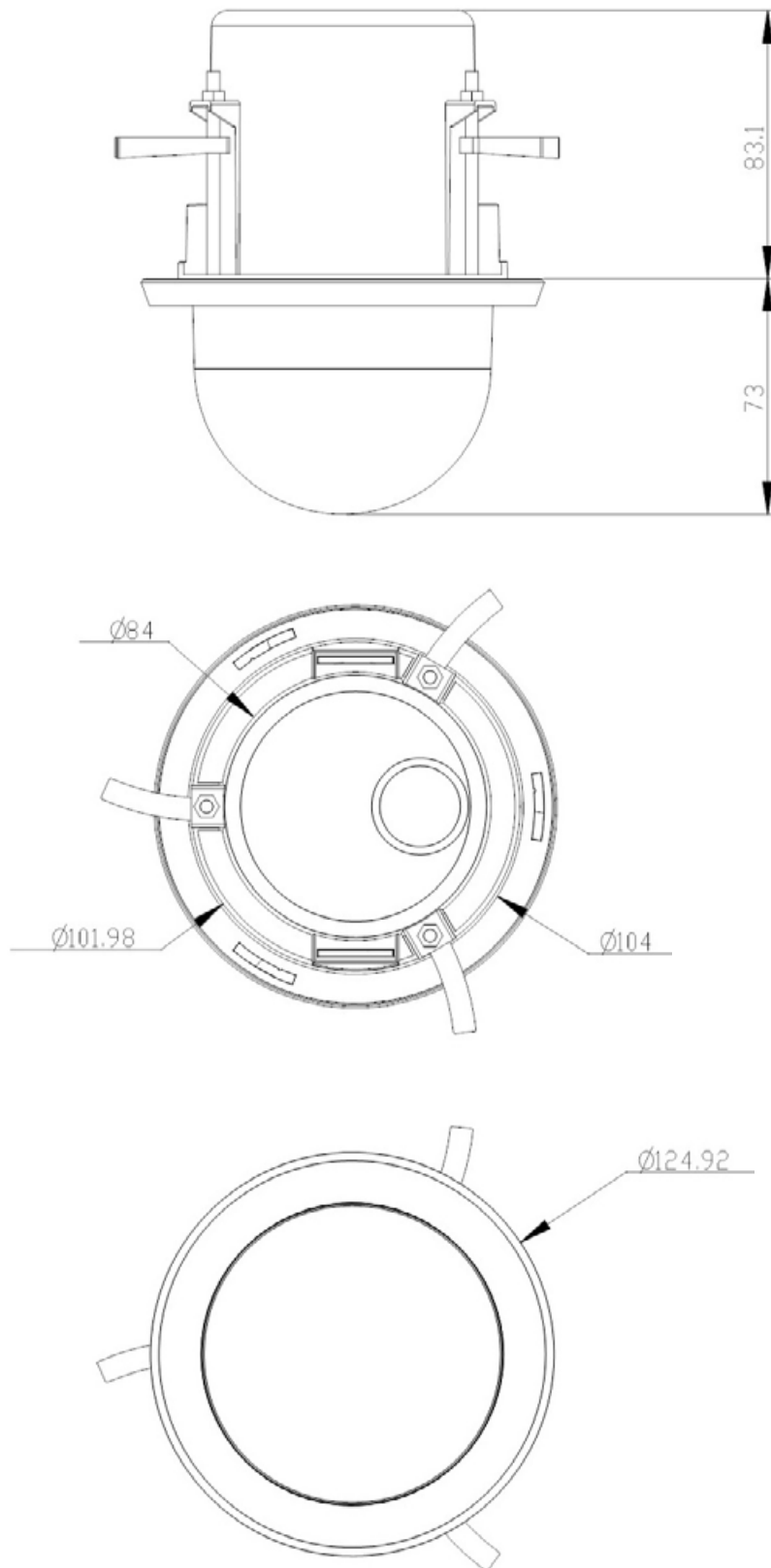
ENVIRONMENTAL	
Operating Temperature	-30°C ~ 55°C (-22° ~ 131°F)
Storage Temperature	-20°C ~ 70°C (-4° ~ 158° F)
Humidity	10% ~ 90%, No Condensation
Vandal Resistant	N/A
IP Rating	N/A

GENERAL	
Power*2	DC 12V / PoE (802.3af)
Power Priority 1	PoE
Power Priority 2	DC
Power Priority 3	N/A
Power Failover	Using DC and PoE
PoE Classification	Class 0
Power Consumption (Total Unit)	Max: 4.48W
Dimensions	∅ 124.9 x 156.1 mm (∅ 4.92" x 6.15")
Weight	405 g (0.90 lb)
Certification	CE / FCC

REPLACEMENT PARTS	
SY-ICD-CC	Clear bubble and trim ring
SY-ICD-SC	Smoked bubble and trim ring
SY-ICD-BB	Replacement SY-ICD back box only. No camera, no bubble

NOTE: *1 Special order - Minimum Order Quantities apply. *2 If multiple power inputs are to be used simultaneously on the camera (such as AC power + PoE or DC power + PoE) all power supplies must be isolated power supplies. If non-isolated power supplies are deployed, they must be used in conjunction with appropriate isolation between each individual camera and the non-isolated power supply.

Diagrams



Cut hole size: 104 mm